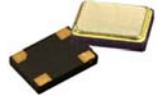


# (V)TX32CC Series

TCXO/VC-TCXO, 3.2 x 2.5mm, HCMOS/TTL



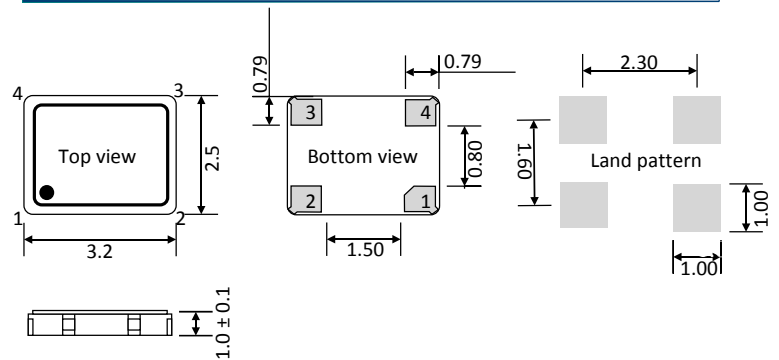
REACH and RoHS compliant  
From ±0.5ppm stability over 0°C to 50°C



Parameters		Specification		Remarks
Frequency range	F_nom	8.192MHz ~ 40.0MHz		
Supply voltage	Vcc	2.5V, 3.0V, 3.3V, 5.0V		
Initial frequency tolerance	F_tol	±2.0ppm		At +25°C±2°C
Frequency stability	vs Temperature	F_stb	±0.5ppm ~ ±3.0ppm	Table 1
	vs Load	F_load	±0.3ppm max	±10% load condition change
	vs Voltage	F_Vcc	±0.3ppm max	±5% input voltage change
	vs Aging	F_age	±1.0ppm/year max	At +25°C
	vs Reflow		±1.0ppm/year max	1 reflow and measured after 24hrs
Operating temperature range (°C)	Topr	0°C ~ +50°C to -40°C ~ +85°C		Table 1
Storage temperature (°C)	Tstg	-55°C ~ +125°C		
Output Waveform		HCMOS/TTL		
Output voltage high	Voh	90% Vcc min		
Output voltage low	Vol	10% Vcc max		
Output load		15pF		
Current consumption	Icc	6mA max		Over operating temperature range
Rise and fall time	Tr, Tf	10ns max		20% to 80% of wave form.
Duty cycle	SYM	45%/55%, 40%/60%		Measured at 50% Vcc.
Start-up time	T_str	5.0m sec (typical), 10.0m sec. (Max)		Reach 90% amplitude at +25°C±2°C
<b>VC-TCXO option only</b>				
Control voltage	Vc	1.5V ± 1.0V		For all supply voltages
Frequency tuning (ppm)		±5.0ppm min		
Linearity/Slope polarity		±10.0% max/Positive slope		Positive voltage for positive frequency shift
Input impedance		50.0MΩ min		
Modulation bandwidth		20.0kHz min		

Temp. (°C)	Stability in ppm					
	±0.5	±1.0	±1.5	±2.0	±2.5	±3.0
0°C to 50°C	√	√	√	√	√	√
-10°C to 60°C	Enq.	√	√	√	√	√
-20°C to 70°C	X	√	√	√	√	√
-30°C to 75°C	X	√	√	√	√	√
-30°C to 85°C	X	√	√	√	√	√
-40°C to 85°C	X	Enq.	√	√	√	√

Dimensions (Unit:mm)



- Pad 1 : Control voltage (VCTCXO). No connection(TCXO)
- Pad 2 : Ground
- Pad 3 : Output
- Pad 4 : Supply Voltage

# (V)TX32CC Series

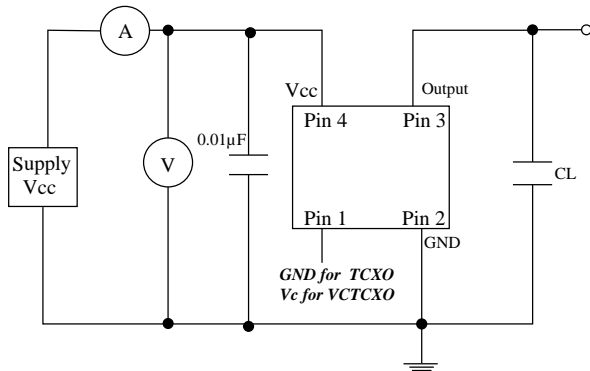
TCXO/VC-TCXO, 3.2 x 2.5mm, HCMOS/TTL



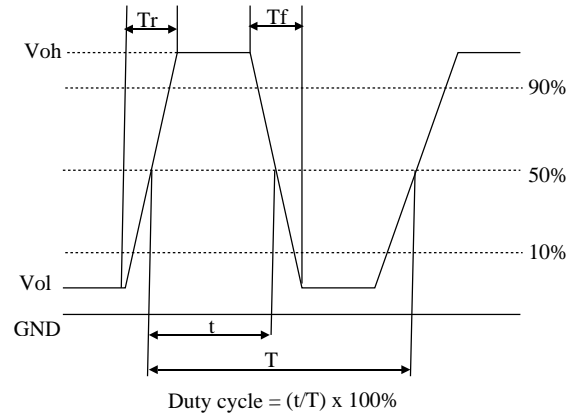
TCXO/VC-TCXO part number generation									
TX32CC	2600	M	B	X	B	X	Z	L	-PF
ACT series Code	Frequency (MHz)	Temp. stability (±ppm)	Supply voltage (V)	Operating temp. range (°C)	Output wave	Electrical tuning (±ppm)	Duty Cycle	Tape & Reel	RoHS Code
TCXO = TX32CC VCTCXO = VTX32CC	Ex. 26.00MHz = 2600 8.00MHz = 0800 14.7456MHz = 1474  < 100MHz First 4 digit of frequency  > 100MHz First 5 digit of frequency	0.5 = R 1.0 = P 1.5 = O 2.0 = N 2.5 = M 3.0 = L	2.5V = C 3.0V = E 3.3V = B 5.0V = A	0 ~ 50 = D -10 ~ +60 = F -20 ~ +70 = B -30 ~ +75 = W -30 ~ +85 = X -40 ~ +85 = K	HCMOS = E HCMOS/TTL = J	For <b>TCXO</b> None = X  For <b>VCTCXO</b> ±5.0 = D	40/60 = S 45/55 = H	Loose = L 1000 = C 2000 = E	-PF

Note: It is important to suffix the above part number with full frequency required to give a completed part number as illustrated below.  
Full Example part number : **TX32CC2600MBXEXSL-PF [26MHz]**, **TX32CC1474MBXEXSL-PF [14.7456MHz]**

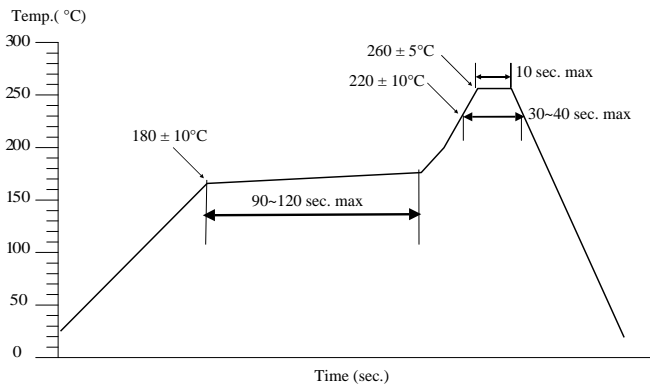
### Test circuit



### Test waveform



### Solder reflow profile



Drawing control: (Internal use only)  
Commodity code: 854370 90 99  
Issue number : N1  
Date : 01/02/2018  
Internal reference : M6