

Surface Mount Clock Oscillator

Series CC065H

- 50pf load compatible
- 1.7mm height
- Tri-state option

Instrument Part Number: CC065H Z - A2 B2 45 - 33.333 TS

**CC065H**  
SERIES  
CC065H

**Z**  
PACKAGING  
Blank = Bulk Pack  
Z = Tape and Reel

**A2**  
OPERATING TEMP  
Blank = 0°C ~ +70°C  
A2 = -40°C ~ +85°C

**B2**  
STABILITY  
Blank = ±100 PPM  
B2 = ±50 PPM

**45**  
SYMMETRY  
Blank = 40 / 60%  
45 = 45 / 55%

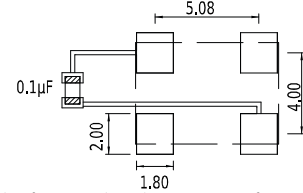
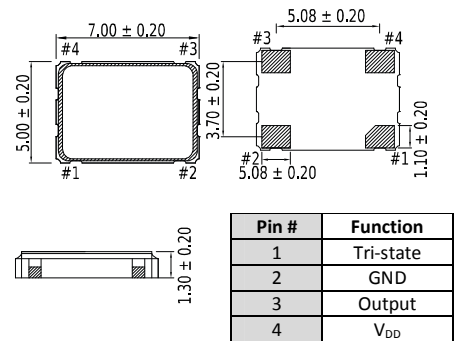
**33.333**  
FREQUENCY  
0.0137 ~ 100.0 MHz

**TS**  
TRI-STATE  
TS = Tristate Standard

Specifications:

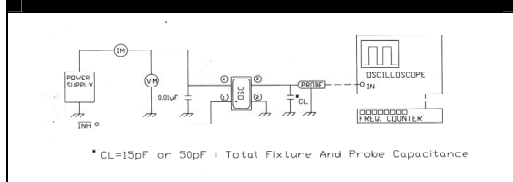
Description	Min	Typ	Max	Unit
Frequency Range:	13.7 KHz	-	100.00 MHz	
Available Stability Options: (Standard)	-100.0 -50.0	-	100.0 50.0	PPM PPM
Output Format	LSTTL / HCMOS			
Low Output Voltage:	-	-	0.5	V
High Output Voltage:	4.5	-	-	V
Output Load:	10 TTL, 50pf CMOS			
Input Voltage:	4.5	5.0	5.5	V
Input Current:	(1.84 ~ 31.999 MHz)	-	27	mA
	(32.0 ~ 49.999 MHz)	-	45	mA
	(50.0 ~ 75.0 MHz)	-	75	mA
Startup Time:	-	-	10	ms
Rise/Fall Time:	-	-	7	Ns
Duty Cycle: (Standard)	40 45	-	60 55	% %
Tri-state Disable:	-	-	0.8	V
Tri-state Enable:	3.6	-	-	V
Storage Temperature Range:	-55	-	+125	°C
Operating Temperature Range: (Standard)	-10 -40	-	+70 +85	°C °C

PACKAGE OUTLINE



For optimal performance, place a by-pass capacity of 0.1µF as close to the part as possible between V<sub>DD</sub> and GND pads

TEST CIRCUIT



OUTPUT WAVE FORM

