

THRU-HOLE MICROPROCESSOR CRYSTAL

ABL6M



RoHS / RoHS II Compliant



6.0 x 3.0 x 1.4mm

FEATURES:

- Reduced footprint from the standard HC/49US package
- Low profile: 1.4mm typ. height
- Tight stability & extended temperature options
- High reliability & Cost effective
- Resistance welded metal package

APPLICATIONS:

- Wireless Applications
- Home electronics
- Computers, modems, and communications
- Microprocessors

STANDARD SPECIFICATIONS:

Parameters	Minimum	Typical	Maximum	Units	Notes
Frequency Range*	12.0		30.0	MHz	
Standard Frequencies	12.0, 16.0			MHz	
Operation Mode	Fundamental (AT-cut)				
Operating Temperature	0		+70	°C	See options
Storage Temperature	-40		+125	°C	
Frequency Tolerance @+25°C	-50		+50	ppm	See options
Frequency Stability over the Operating Temperature (ref. to +25°C)	-50		+50	ppm	See options
Equivalent series resistance (ESR)			60	Ω	@+25°C
Shunt capacitance (C0)			5	pF	
Load capacitance (CL)	18			pF	Standard (See options if other than STD)
Drive Level		50	100	μW	
Aging	-5		+5	ppm	@25°C±3°C First year
Insulation Resistance	500			MΩ	@ 100Vdc ± 15V
Drive level dependency (DLD)	10nw ~ 100uw, 12 points Change in ESR (Maximum - Minimum) over DLD range < 30% ESR max.				

* Please contact Abracon for other frequencies.

THRU-HOLE MICROPROCESSOR CRYSTAL

ABL6M

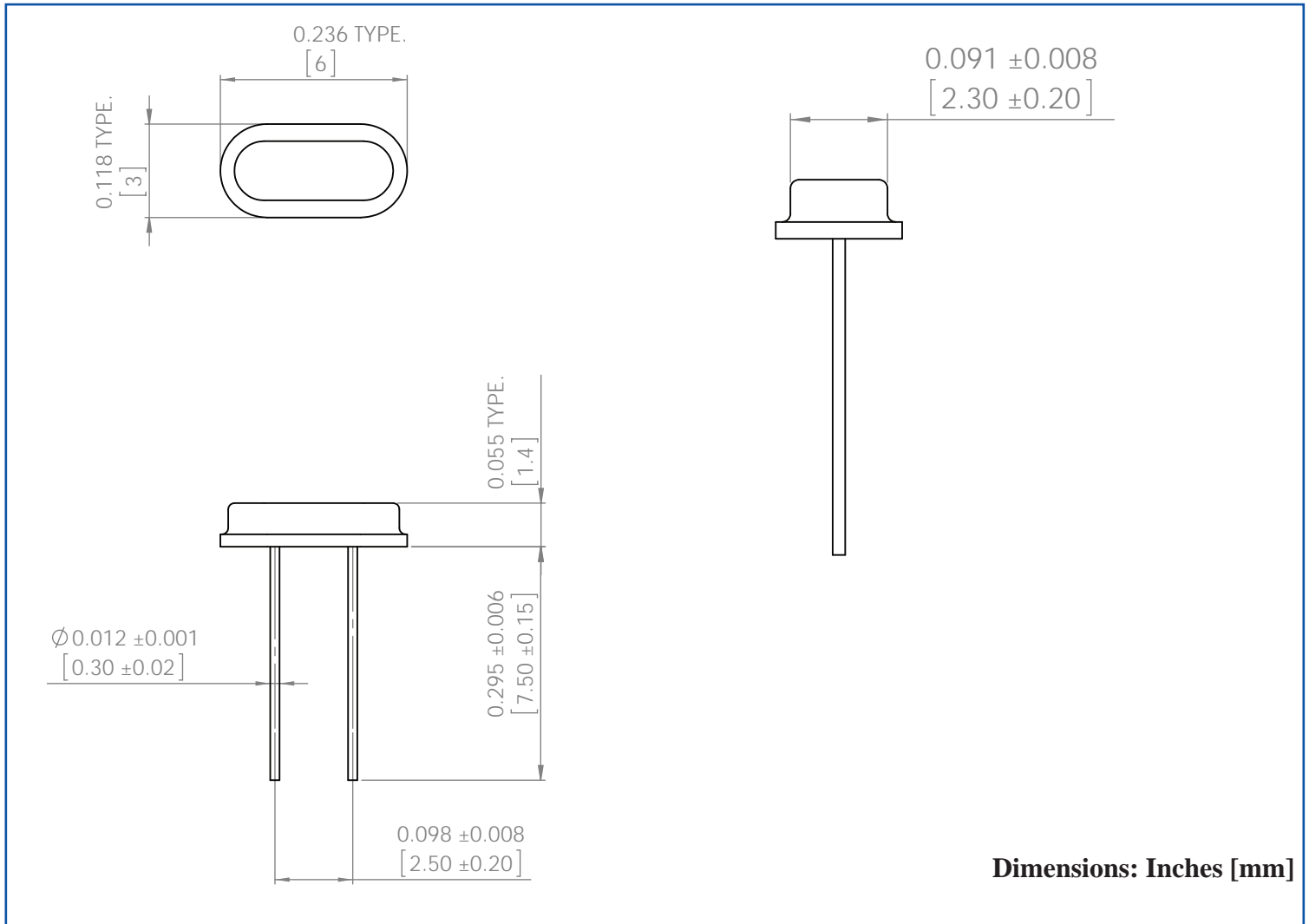


RoHS / RoHS II Compliant



6.0 x 3.0 x 1.4mm

OUTLINE DIMENSION:



Packing
500pcs/bag