

Crystal Clock Oscillator

NZ3225SF

Ultralow Power-Driven Type

Application

- For Portable equipment (ex. Mobile Phone, Digital Media Player, PND, Notebook PC, etc)

Features

- Ultralow power-driven (Min. +0.8V) crystal clock oscillator, ideal for mobile devices.
- Compact and light. Dimensions : 3.2 x 2.5 x 0.9 mm, weight : 0.02 g.
- Taped units enable automatic mounting and IR Reflow (lead free) is possible.
- Lead-free.



Pb Free

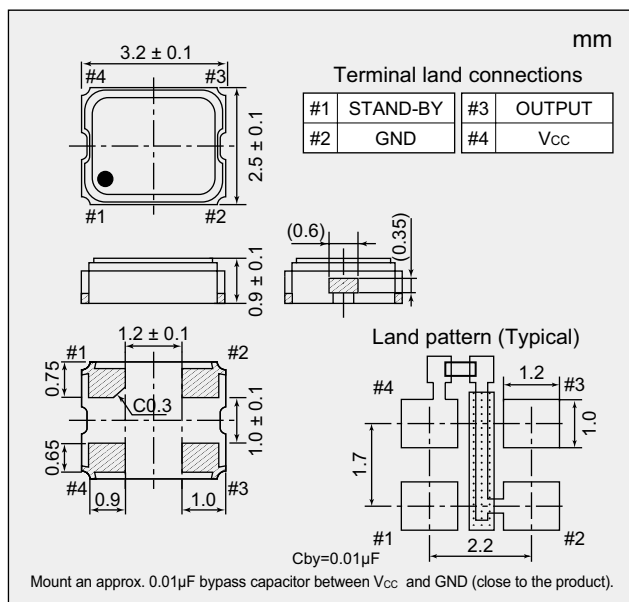
RoHS Compliant
Directive 2011/65/EU

Absolute maximum rating
Supply Voltage (V_{CC}) -0.5 to +4.0 V
Storage Temperature Range -55 to +125 °C

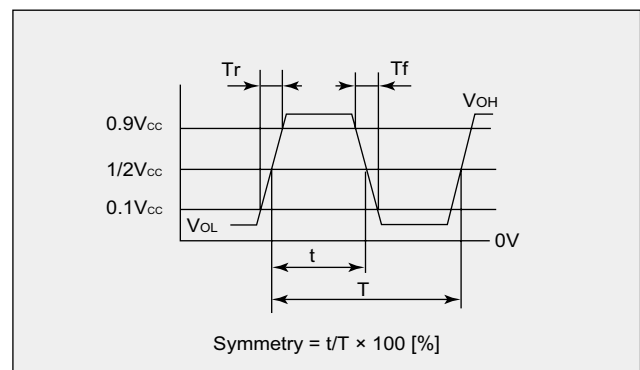
Specifications

Item	Model	NZ3225SF		
Output Level		CMOS		
Nominal Frequency Range	(MHz)	1.5 to 50		
Overall Frequency Tolerance	($\times 10^{-6}$)	± 50	± 30	
Operating Temperature Range	(°C)	-40 to +85	-10 to +70	
Supply Voltage	(V)	+0.9 to +1.5		
Current Consumption Max.	During Operation	+25 °C	(mA)	1.5 to 6.0
	During Standby	+25 °C	(μ A)	100
V _{OL} Max. / V _{OH} Min.	(V)	0.1 V _{CC} /0.9 V _{CC}		
Tr Max. / Tf Max.	(ns)	5/5		
Symmetry Min. to Max.	(%)	45 to 55		
Load (C _L) Max.	(pF)	15		
Start-up Time Max.	(ms)	4		
Standby function		Available (Three-state)		

Dimensions



Output Waveform <CMOS>



Standby Function

#1 Input	#3 Output
Level H ($0.7 V_{CC} \leq V_{IH} \leq V_{CC}$) or OPEN is selected.	Oscillation output ON
Level L ($V_{IL} \leq 0.3 V_{CC}$) is selected.	High impedance

Crystal Clock Oscillator



NZ3225SF

Ultralow Power-Driven Type

■ Specification Number

Overall Frequency Tolerance	Operating Temperature Range(°C)	Supply Voltage (V)		
		+0.9±0.1	+1.2±0.1	+1.5±0.1
±50×10 ⁻⁶	-40 to +85	NSC5037A	NSC5037B	NSC5037C
±30×10 ⁻⁶	-10 to +70	NSC5039A	NSC5039B	NSC5039C

Please specify the model name, frequency, and specification number when you order products.
For further questions regarding specifications, please feel free to contact us.