

Crystal Clock Oscillator **NEW**

NZ2520SDA

Ultra Low Phase Noise Type

Application

- For High-quality-audio, Smartphone, Tablet computers, Wireless module, Notebook PC and DSC

Features

- Ultra low phase noise make this product ideal for High quality audio.
- Compact and light. Dimensions : 2.5 x 2.0 x 0.9 mm, weight : 0.02 g.
- Wide frequency range: 20 to 50 MHz.
- Automatic mounting by taping and IR reflow (lead-free) are possible.
- Lead-free.

Pb Free

RoHS Compliant
Directive 2011/65/EU



Absolute maximum rating
Supply Voltage (V_{CC}) -0.6 to +6.0 V
Storage Temperature Range -55 to +125 °C

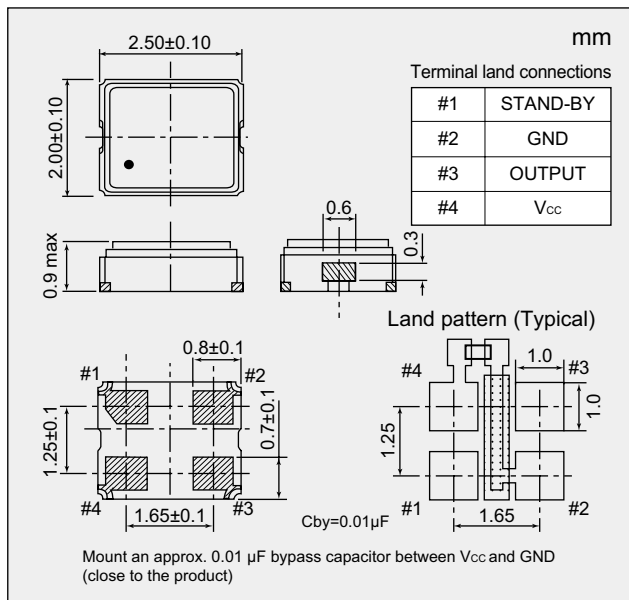
Specifications

Item	Model	NZ2520SDA
Output		CMOS
Nominal Frequency Range	(MHz)	20 to 50
Overall Frequency Tolerance	($\times 10^{-6}$)	± 50
Operating Temperature Range	(°C)	-40 to +85
Supply Voltage	(V)	+1.8 to +3.3
Current Consumption Max.	During Operation +25 °C (mA)	15
V _{OL} Max. / V _{OH} Min.	(V)	0.1 V _{CC} / 0.9 V _{CC}
Tr Max. / Tf Max.	(ns)	6 / 6
Symmetry Min. to Max.	(%)	40 to 60
Load (C _L) Max.	(pF)	15
Start-up Time Max.	(ms)	4
Standby function		Available (Three-state)

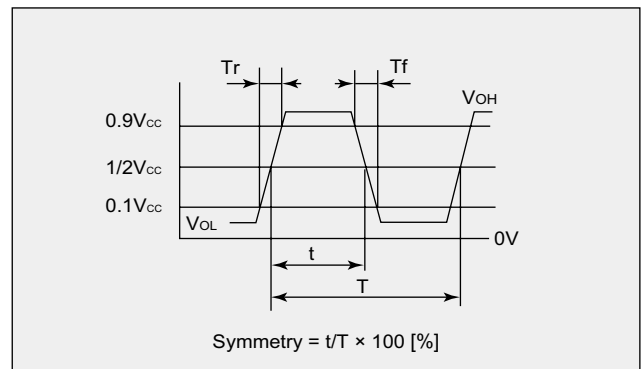
Characteristics

+1.8V, +25 °C	F=22.5792MHz		F=49.152MHz	
	Fout \pm 1 kHz (Typ.)	(dBc/Hz)	-158	-152
+3.3V, +25 °C	Fout \pm 100 kHz (Typ.)	-163	-164	-164
	Fout \pm 1 kHz (Typ.)	-164	-158	-158
	Fout \pm 100 kHz (Typ.)	-169	-172	-172

Dimensions



Output Waveform <CMOS>



Standby Function

#1 Input	#3 Output
Level H ($0.7 V_{CC} \leq V_{IH} \leq V_{CC}$) or OPEN is selected.	Oscillation output ON
Level L ($V_{IL} \leq 0.3 V_{CC}$) is selected.	High impedance

Crystal Clock Oscillator **NEW**



NZ2520SDA

Ultra Low Phase Noise Type

■ Specification Number

Overall Frequency Tolerance	Operating Temperature Range(°C)	Supply Voltage (V)			
		+1.8±0.18	+2.5±0.25	+3.0±0.30	+3.3±0.33
±50 × 10 ⁻⁶	-40 to +85	NSC5083A	NSC5083B	NSC5083C	NSC5083D

Please specify the model name, frequency, and specification number when you order products.
For further questions regarding specifications, please feel free to contact us.