

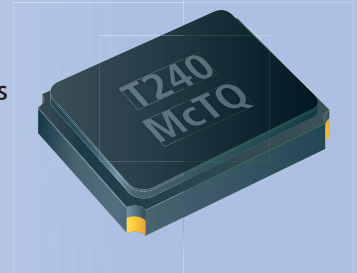
SMD Glass Sealing Crystals

2.0 x 1.6 x 0.6 mm 7R Series

Quartz Crystals
Series

Features

- 4 pads SMD glass sealed Crystal.
- Applications for NB, DSC, USB, Variety of compact portable consumer products reference clocks.
- High reliable environmental performance.
- Contains Pb in sealing glass exempted by RoHS directive.



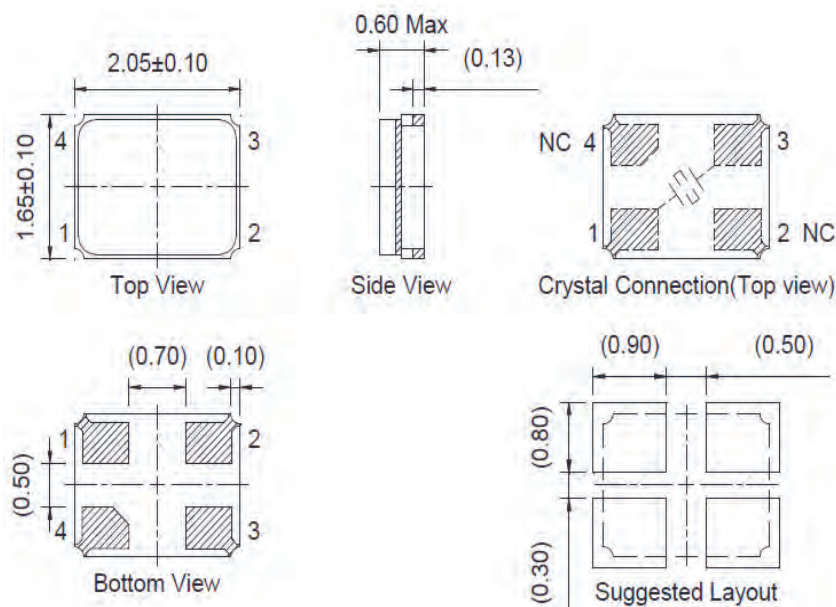
Electrical Specifications

Item / Type	7R
Frequency Range	20 ~ 64 MHz
Frequency Tolerance(at 25°C)	± 10 ppm, ± 20 ppm, or specify
Frequency Stability Over Temperature Range	± 10 ppm, ± 20 ppm, or specify
Operating Temperature Range	± 10 ppm, ± 20 ppm, or specify
Shunt Capacitance(C0)	2 pF Max.
Drive Level	1 ~ 100 μW (10 μW typical)
Load Capacitance	7 ~ 20 pF, or specify
Aging(at 25°C)	± 3 ppm / year Max.
Storage Temperature Range	- 40 ~ + 85 °C

Equivalent Series Resistance(ESR)

Fundamental			
20 ~ 24 MHz	200 Ω	30 ~ 36 MHz	120 Ω
24 ~ 30 MHz	150 Ω	36 ~ 64 MHz	80 Ω

Dimensions



Units: mm

Remark : Specification subject to change without prior notice. Please confirm with our sales. <http://www.txccorp.com>