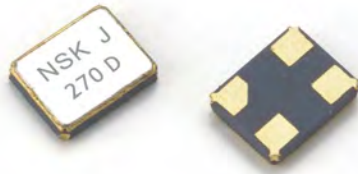


## SMD TYPE CERAMIC (SMD 2 x 1.6)



### Application of SMD crystal:

- Radio communication
- TCXO
- Office automation equipment
- GPS
- Audio-visual equipment



### { Features }

Seam welding  
Excellent solderability  
Automatic and perfect packing due to emboss taping  
Excellent vibration resistance & shock resistance  
Rohs compliant / Pb free

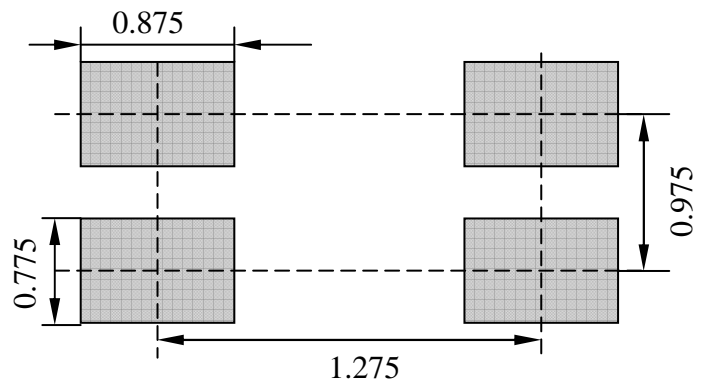
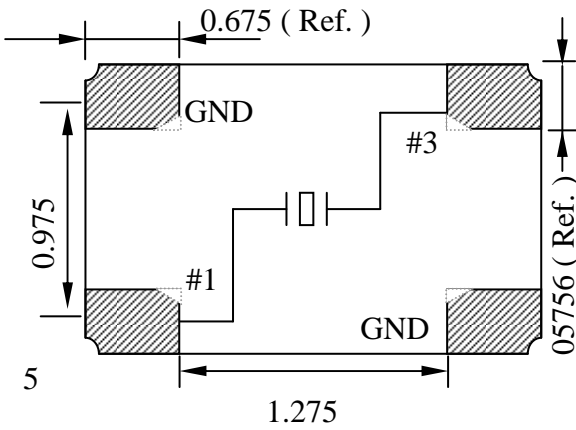
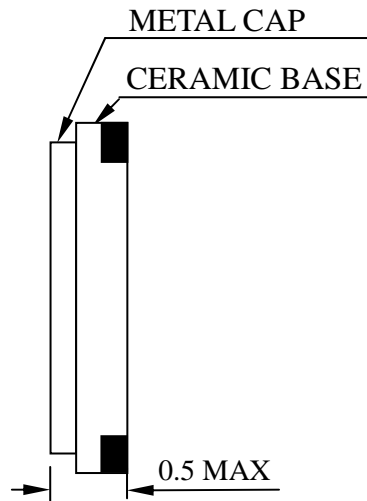
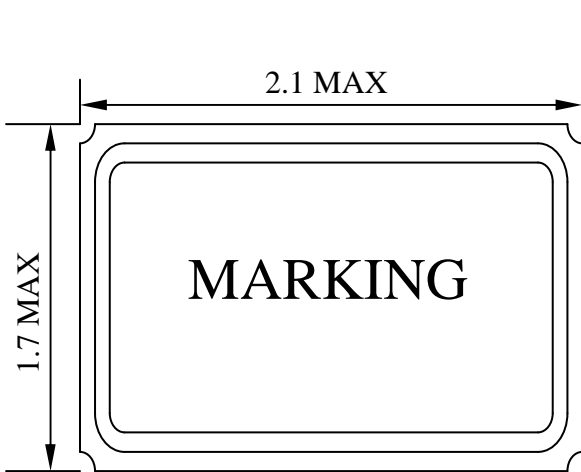
### Electrical Specification:

Model	NXN-21
<b>1.Frequency</b>	
Frequency Range	20.0 ~ 50.0 MHz
Frequency Tolerance at 25°C±2°C	±10 ~ ±50 ppm (TYP.)
Frequency Stability Over Operating Temp Range	±10 ~ ±50 ppm (TYP.)
<b>2.Environmental Condition</b>	
Operating Temp Range	-10°C~ +60°C,-20°C~ +70°C or customer requirement
Storage Temp Range	-40°C ~ +85°C
Aging Rate	±3ppm/year
<b>3.Electrical Specifications</b>	
Test Circuit	S&A 250B
Load Capacitance	6 pF ~ 32 pF, series or special
Drive Level	1uW ~ 100uW or special
Shunt Capacitance	7.0pF max

### Equivalent Series Resistance(ESR) VS Frequency:

Frequency (MHz)	Oscillation Mode	NXN-21
20.0 ~ 23.9	Fundamental	120Ω
24.0 ~ 29.9	Fundamental	100Ω
30.0 ~ 37.9	Fundamental	80Ω
38.0 ~ 50.0	Fundamental	60Ω

**Dimensions (mm):**



<TOP VIEW>

(Recommended Land Pattern)

**Tape specification (mm):**

