

# CRYSTAL UNIT

## SX-5032

### Applications

- Cellular / PHS / Cordless Telephones / Pagers

### Features

- Ultra thin / Dimensions (5.0×3.2×0.7)
- Ceramic SMD Package
- Vacuum Seam Sealed
- Tight Tolerance and Stability
- Reflow Soldering / Emboss Taping
- Compliant products with AEC-Q200

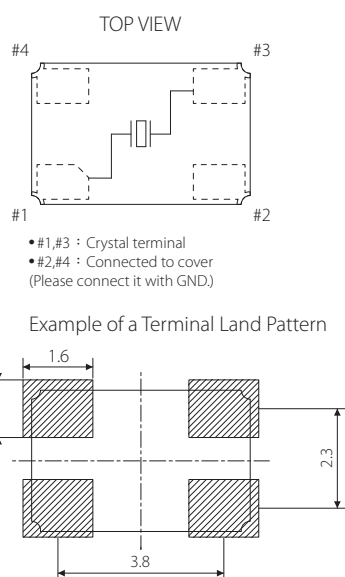
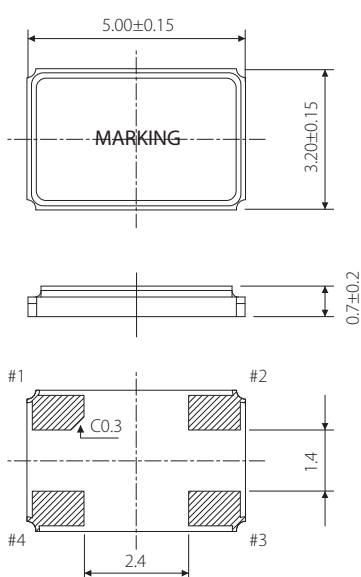
### Specifications



| Model   | SX-5032   |                         |  |                         |
|---|---|-------------------------|--|-------------------------|
| Nominal frequency range                               | 8.000~54.000 MHz  |                         | 40.000~100.000 MHz                                   |                         |
| Crystal cut   | Fundamental [AT-cut]  |                         | 3rd overtone [AT-cut]                                |                         |
| Storage temperature range                             | -40~+90°C; -40~+125°C (For AEC-Q200)  |                         |  |                         |
| Operating temperature range                           | -10~+60°C   | -30~+80°C               | -10~+60°C  | -30~+80°C               |
| Frequency temperature characteristics (Ref. to +25°C) | ± 10 × 10 <sup>-6</sup>   | ± 15 × 10 <sup>-6</sup> | ± 10 × 10 <sup>-6</sup>                              | ± 15 × 10 <sup>-6</sup> |
| Frequency tolerance (at +25°C)                        | ± 10 × 10 <sup>-6</sup>   |                         |  |                         |
| Equivalent series resistance                          | 60 Ω: 8.000~10.999 MHz<br>50 Ω: 11.000~11.999 MHz<br>40 Ω: 12.000~24.999 MHz<br>30 Ω: 25.000~54.000 MHz |                         | 120 Ω: 40.000~59.999 MHz<br>80 Ω: 60.000~100.000 MHz |                         |
| Load capacitance                                      | series, 10pF, 12pF, 16pF  |                         |  |                         |
| Shunt capacitance                                     | 5pF max.  |                         |  |                         |
| Level of drive  | 10 μW (100 μW max.)   |                         |  |                         |

Package quantity: 1,000pcs max./Reel.  
The product is suitable for Car multimedia, Car accessory application.

### Outline and Dimensions [unit:mm]



| Maximum marking length |       | Marking           |
|------------------------|-------|-------------------|
| line1                  | line2 |                   |
| 7                      | 7     | Laser             |
| ex.)                   |       | 16. 0GA<br>SIWARD |