



Applications

- Cordless Telephones / Facsimile / Computer Clocks

Features

- Dimensions (5.0×3.2×1.1)
- Ceramic SMD Package
- Glass Sealed
- Tight Tolerance and Stability
- Reflow Soldering / Emboss Taping
- Compliant products with AEC-Q200

Specifications



Model	GX-50322, GX-50324	
Nominal frequency range	8.000~54.000 MHz	45.000~60.000 MHz
Crystal cut	Fundamental [AT-cut]	3rd overtone [AT-cut]
Storage temperature range	-40~+90°C; -40~+125°C (For AEC-Q200)	
Operating temperature range	-10~+70°C, -40~+85°C	
Frequency temperature characteristics (Ref. to +25°C)	±30×10 ⁻⁶ (-10~+70°C), ±50×10 ⁻⁶ , ±100×10 ⁻⁶	
Frequency tolerance (at +25°C)	±30×10 ⁻⁶ , ±50×10 ⁻⁶	
Equivalent series resistance	80Ω: 8.000 ~ 9.999 MHz 50Ω: 10.000 ~ 11.999 MHz 40Ω: 12.000 ~ 54.000 MHz	90Ω: 45.000~60.000 MHz
Load capacitance	series, 10pF, 12pF, 16pF, 18pF, 20pF	
Shunt capacitance	5pF max.	
Level of drive	10 μW (100 μW max.)	

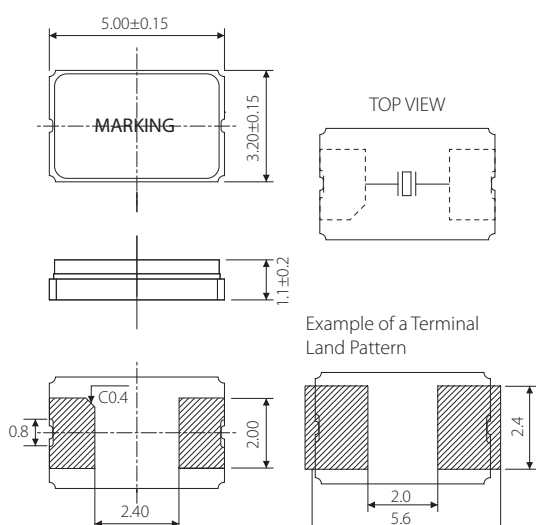
Package quantity: 1,000pcs max./Reel.

The product is suitable for Car multimedia, Car accessory application.

Outline and Dimensions [unit:mm]

Maximum marking length		Marking
line1	line2	
7	7	Laser
ex.)		16. 0GA SIWARD

GX-50322



GX-50324

