

3.2 x 2.5mm Ceramic SMD

Product Features

- AT Cut 32.768 kHz XO
- CMOS compatible logic levels
- Ultra low active current ($< 10\mu A$)
- Very tight temperature stability
- Designed for standard reflow and washing techniques
- Pb-free and RoHS/Green compliant

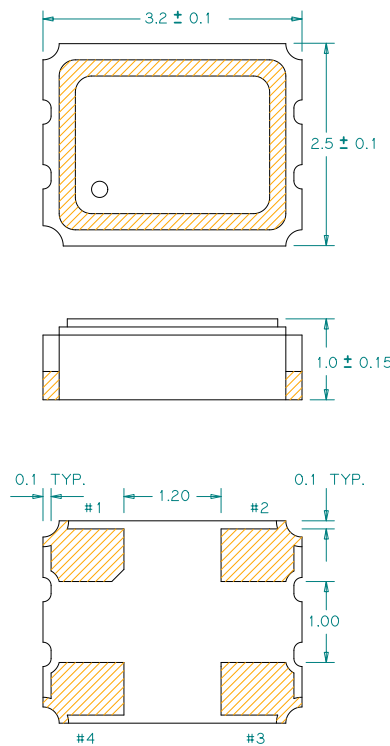
Product Description

The KX321 Series real time clock oscillator achieves superb stability over a broad range of operating conditions. It utilizes Pericom proprietary technology to achieve ultra low current less than $10\mu A$. The output clock signal is compatible with LVCMOS/LVTTL logic levels. The device, available on tape and reel, is contained in a 3.2 x 2.5mm surface-mount ceramic package.

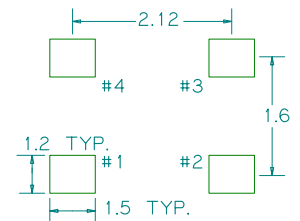
Applications

- Real-Time Clock Oscillator where low current and tight stability are needed

Package: (Scale: none; Dimensions are in mm)



Recommended Land Pattern:



Pin Functions:

Pin	Function
1	OE Function
2	Ground
3	Clock Output
4	V _{DD}

Part Ordering Information:

KX 321 V I S 032.768000



Voltage:

- 1 = +3.3V
- 2 = +2.5V
- 3 = +1.8V
- B = +3.0V

Stability and Temp Range:

Stability	Temp Range
A = +/-20 ppm	-20/+70°C
B = +/-25 ppm	-20/+70°C
C = +/-50 ppm	-20/+70°C
D = +/-25 ppm	-40/+85°C
E = +/-50 ppm	-40/+85°C
F = +/-20 ppm	0/+70°C
G = +/-25 ppm	0/+70°C
H = +/-25 ppm	0/+85°C
I = +/-25 ppm	-20/+85°C
Z = Reference Design	

Internal #:

0 ~ 9

Frequency:

FFF.FFFFFFFF

kHz, "3 digits/decimal/6 digits" format

Following the above format, SaRonix-eCera part numbers will be assigned upon confirmation of exact customer requirements.