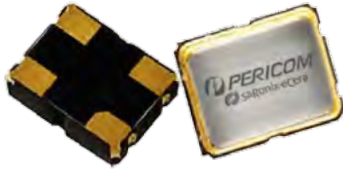


1.8V ~ 3.3VDC Clipped Sinewave TCXO

JT255



2.5 x 2.0mm Ceramic SMD

Typical Frequencies available MHz:		
16.367667	16.369	19.200
25.000	26.000	40.000

Product Features

- Low Current
- Tight temperature stability
- Clipped Sinewave output levels
- Excellent Phase Noise
- Industrial Temperature Range
- Pb-free and RoHS/Green compliant
- Fast lead time

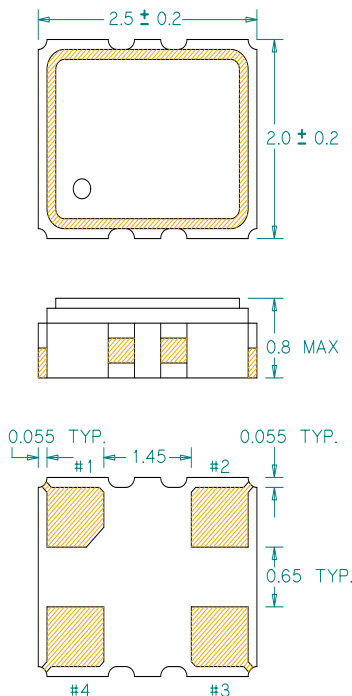
Product Description

The JT255 TCXO series is a high performance temperature compensated oscillator with a clipped sinewave output for a very low operating supply current. It supports various power supply voltages, stabilities and other features. It is designed to meet existing application requirements.

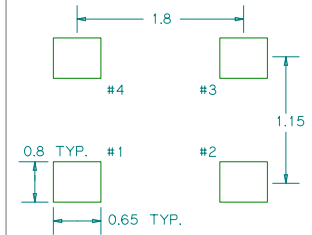
Applications

- Networking systems
- Networking
- GPS/Navigation
- Metering
- Mobile and wireless
- Handset

Package: (scale-none, dimensions in mm)



Recommended Land Pattern:



Pin Functions:

Pin	Function
1	Ground
2	Ground
3	Output
4	V _{DD}

Part Ordering Information:

JT 255 V X FFFF.FFFFFFF

Ⓐ	Ⓑ	Ⓒ	Ⓓ
Voltage:	Stability and Temp Range:		Frequency:
1 = +3.3V	Stability	Temp Range	FFFFFFFFFF
2 = +2.5V	+/-0.5ppm	-20/+70C	MHz, "4 digits/decimal/6 digits" format
3 = +1.8V	+/-1.0ppm	-30/+85C	
4 = +1.5V	+/-1.5ppm	-30/+75C	
B = +3.0V	+/-2.0ppm	-40/+85C	
C = +2.8V	+/-2.5ppm		
D = +2.7V	+/-5.0ppm		
E = +2.85V			
F = +2.75V			
G = +2.4V			

P* : This option is not available for all frequencies.
Please contact Pericom sales for your special needs.

Following the above format, PSE Technology Corporation part numbers will be assigned upon confirmation of exact customer requirements.