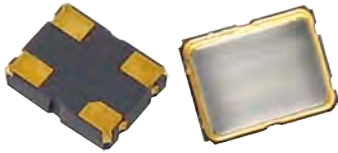


1.8V/2.5V/3.3V CMOS XO

HX501



5.0 x 3.2mm Ceramic SMD

Product Features

- Support high temperature up to 125°C
- Low phase jitter - < 1ps RMS max.
- Wide frequency range - 1.75 ~ 161MHz
- AEC-Q200 (Grade 1) compliant
- Pb-free & RoHS compliant

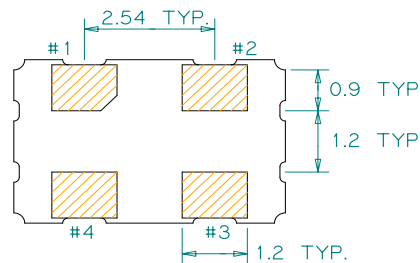
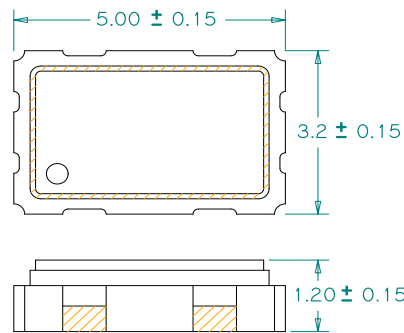
Product Description

The HX501 XO series is a high performance CMOS crystal oscillator family that supports high temperature with very low jitter performance. It supports various options including wider frequency range, 1.8V/2.5V/3.3V voltage, and various stabilities over wide temperature range. It is designed to meet the clock source specifications for communication systems, Industrial applications and other high performance equipment.

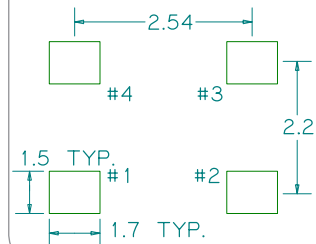
Applications

- Networking and communication systems
- Industrial and outdoor systems
- Storage and server systems
- Automotive devices
- Fanless systems in harsh environment
- Profession video equipments
- Test and measurement equipments

Package: (Scale: none; dimensions are in mm)



Recommended Land Pattern:



Pin Functions:

| Pin | Function |
|-----|-----------------|
| 1 | OE |
| 2 | Ground |
| 3 | Output |
| 4 | V _{DD} |

*Extended high frequency power decoupling is recommended (see test circuit for minimum recommendation). To ensure optimal performance, do not route RF traces beneath the package.

Part Ordering Information:

HX 501 V I FFFF.FFFFFFFF

Voltage:
1 = +3.3V
2 = +2.5V
3 = +1.8V

Stability and Temp Range:

| Stability | Temp Range |
|----------------|------------|
| A = +/-25 ppm | -40/+90°C |
| B = +/-30 ppm | -40/+100°C |
| C = +/-30 ppm | -40/+105°C |
| D = +/-50 ppm | -40/+90°C |
| E = +/-50 ppm | -40/+100°C |
| F = +/-50 ppm | -40/+105°C |
| G = +/-70 ppm | -40/+125°C |
| H = +/-100 ppm | -40/+125°C |

Frequency:
FFFF.FFFFFFFF
MHz, "4 digits/decimal/6 digits" format