

2.5/3.3V CMOS XO

UX51/UX501



5.0 x 3.2mm Ceramic SMD

Product Features

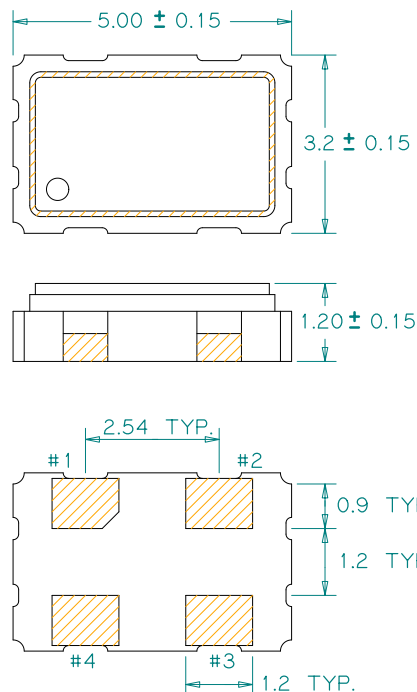
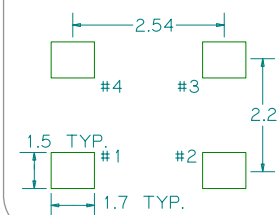
- Ultra low phase jitter for 40G/100G systems
 - 0.1ps RMS max. (12kHz to 20MHz), Category 1
 - 0.2ps RMS max. (12kHz to 20MHz), Category 1
 - 0.3ps RMS max. (12kHz to 20MHz), Category 2
- Industrial Temperature Range
- Pb-free & RoHS compliant

Product Description

The UX51/UX501 XO series is a high performance CMOS crystal oscillator family with ultra low jitter performance. It supports various options including wider frequency range, 2.5/3.3 voltage, various stabilities, and different package sizes. It is designed to meet the clock source specifications for communication systems with 40G or 100G interfaces, and other high performance equipment.

Applications

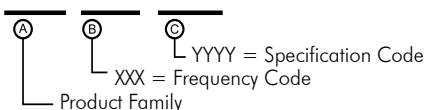
- Networking systems
- Servers and storage systems
- Profession video equipments
- Test and measurement
- FPGA/ASIC clock generation

Package: (Scale: none; dimensions are in mm)

Recommended Land Pattern:


*Extended high frequency power decoupling is recommended (see test circuit for minimum recommendation). To ensure optimal performance, do not route RF traces beneath the package.

Pin Functions:

Pin	Function
1	OE
2	GND
3	Q
4	V _{DD}

Part Ordering Information Category 1:
UX51 XXX YYY


*Not for all frequencies in the frequency range. Please contact sales for details.

Part Ordering Information Category 2:
UX 501 V I FFFF.FFFFFFF
