

## 2.5V/3.3V CMOS FS XO

# NX51SA



5.0 x 3.2mm Ceramic SMD

### Product Features

- 2 selectable output frequencies
- Very low phase jitter - < 1ps RMS max.
- Wide frequency range - 5 ~ 250MHz
- Low supply current - 60mA max.
- Industrial Temperature Range
- Pb-free & RoHS compliant
- Fast lead time

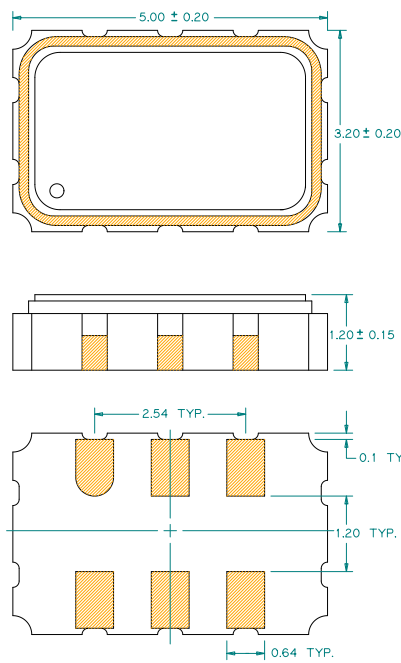
### Product Description

The NX51SA XO series is a high performance CMOS crystal oscillator family with very low jitter performance and selectable output frequencies. Depending on customers' needs, this family devices can support 2 different frequencies using the FS select pin. It supports various options including wider frequency range, 2.5V/3.3V voltage, and various stabilities. It is designed to meet the clock source specifications for communication systems, and other high performance equipment.

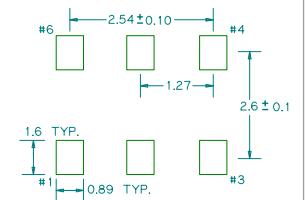
### Applications

- Networking systems
- Servers and storage systems
- Profession video equipments
- Test and measurement
- FPGA/ASIC clock generation

**Package:** (Scale: none, Dimensions are in mm)



Recommended Land Pattern:



### Pin Functions:

Pin	Function
1	OE Function
2	FS
3	Ground
4	Output
5	N/C
6	V <sub>DD</sub>

### Frequency Select Table:

FS	Output
0	Frequency 1*
1	Frequency 2*

\*Frequency 1 and Frequency 2 can be any frequencies within the output frequency range.

\*Extended high frequency power decoupling is recommended (see test circuit for minimum recommendation). To ensure optimal performance, do not route RF traces beneath the package.

### Part Ordering Information:

